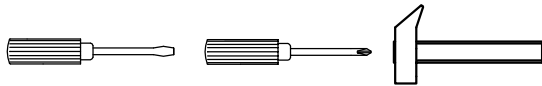
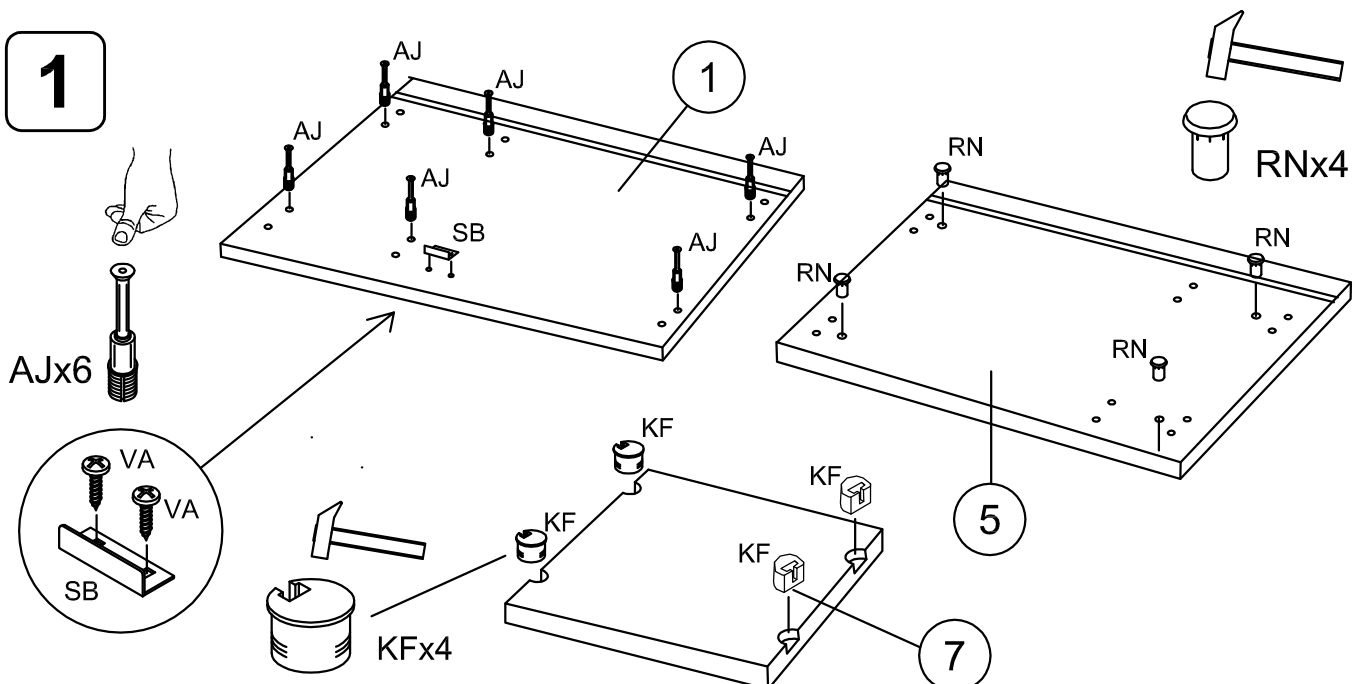


UTENSILI NECESSARI – OUTILS NECESSAIRES
TOOLS NEEDED

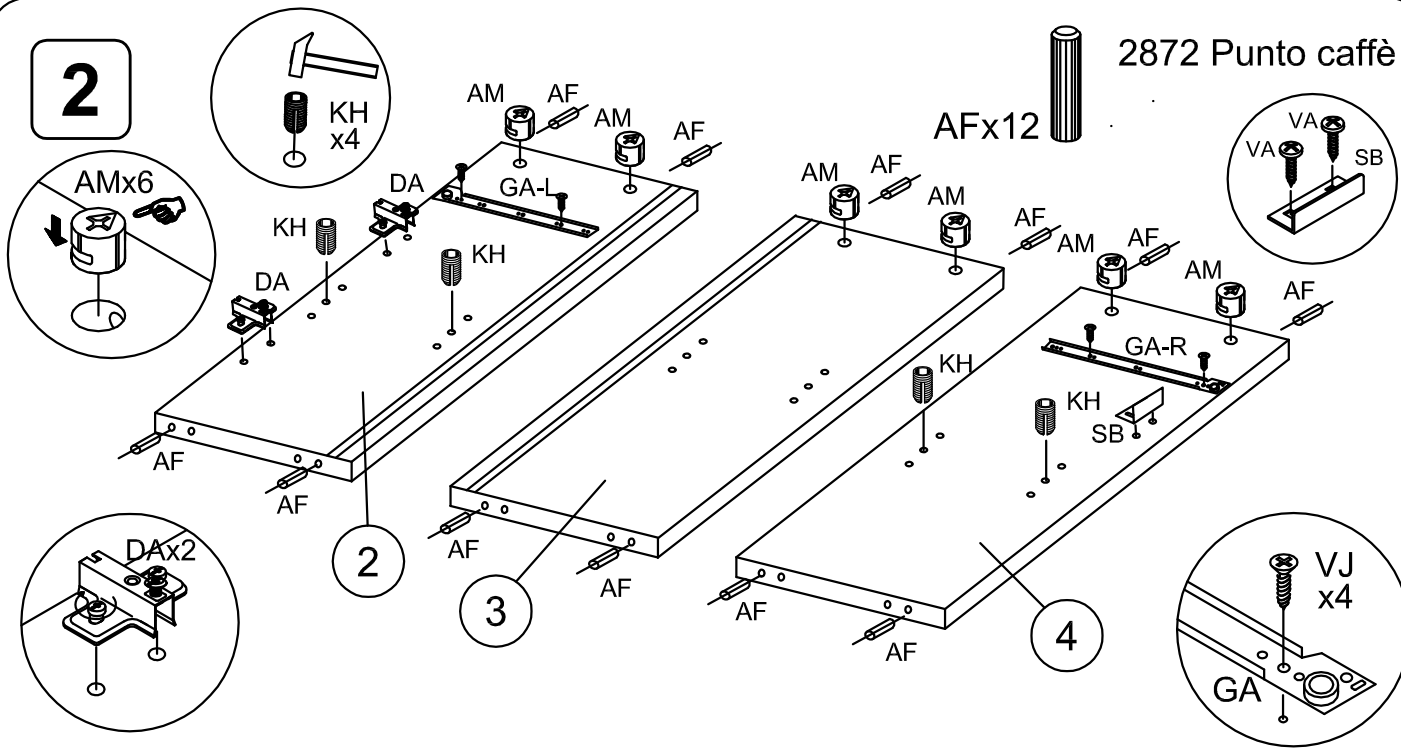


AF 12 	AJ 6 	AM 6 	WA 6 	WE 1 	KF 4 	KF 4 	KG 4 	KH 4 	SB 2
QL 2 	VZ 8 Ø3X18 	QM 2 	CA 2 	DA 2 	VJ 12 Ø4X16 	VA 4 	PT 4 	ZA 1 COLLA COLLE GLUE 	
GA-R 1+1 	GA-L 1+1 	GB-R 1+1 	GB-L 1+1 	RN 4 	MP 2 	NB 4 			

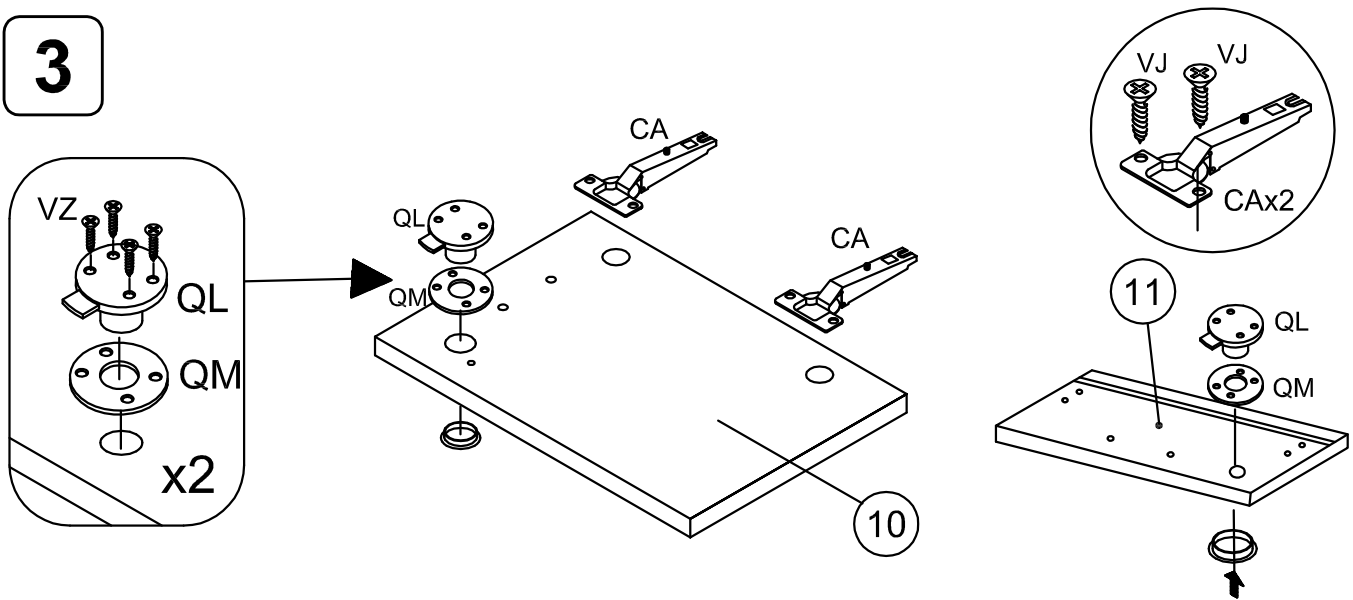
1



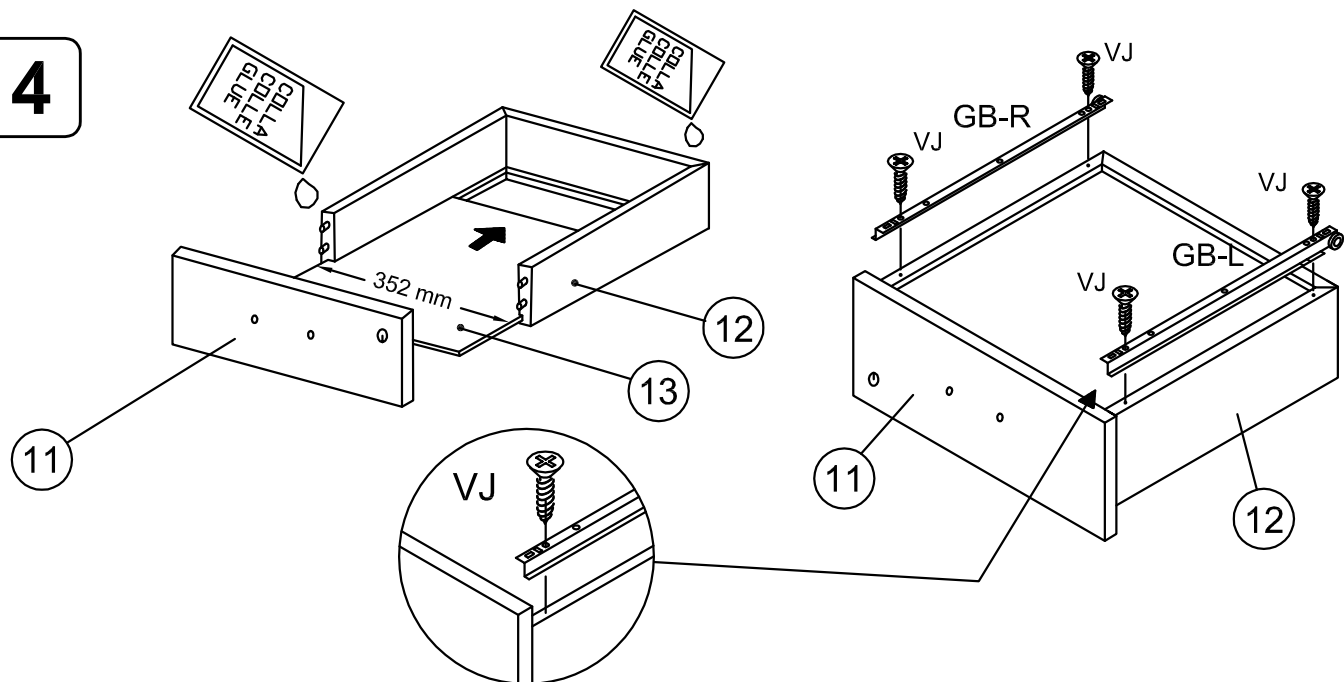
2



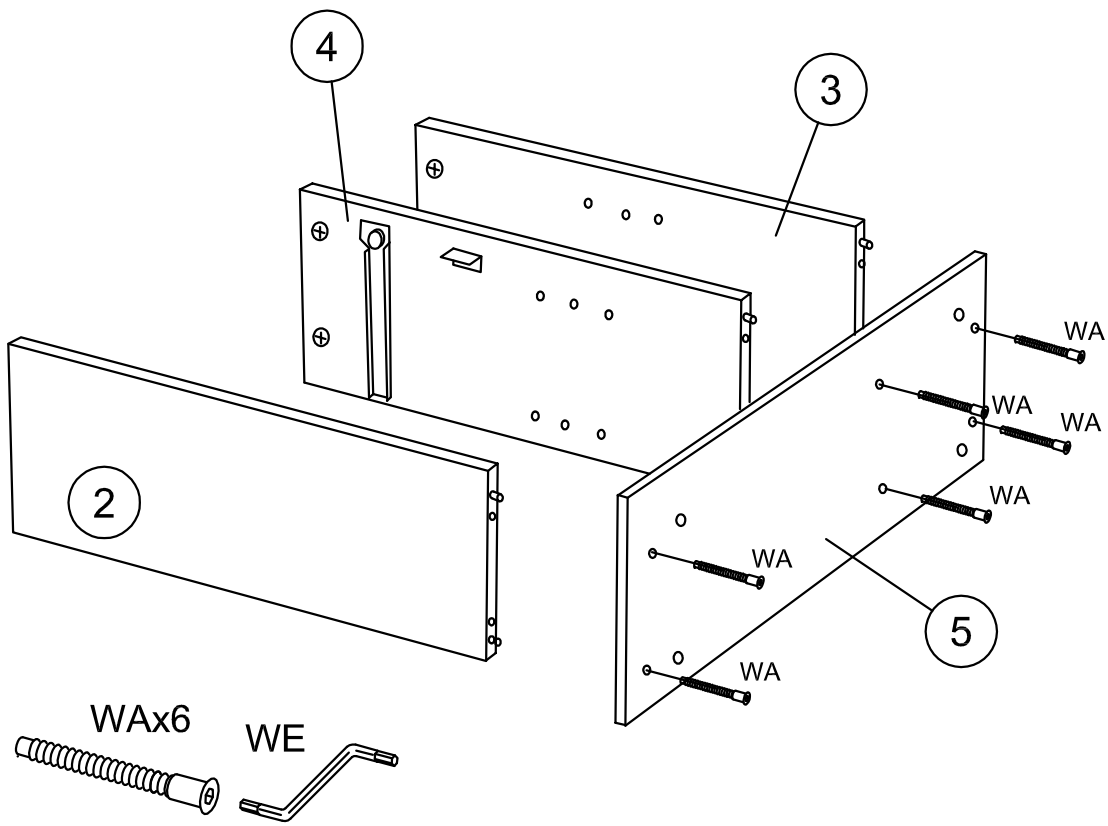
3



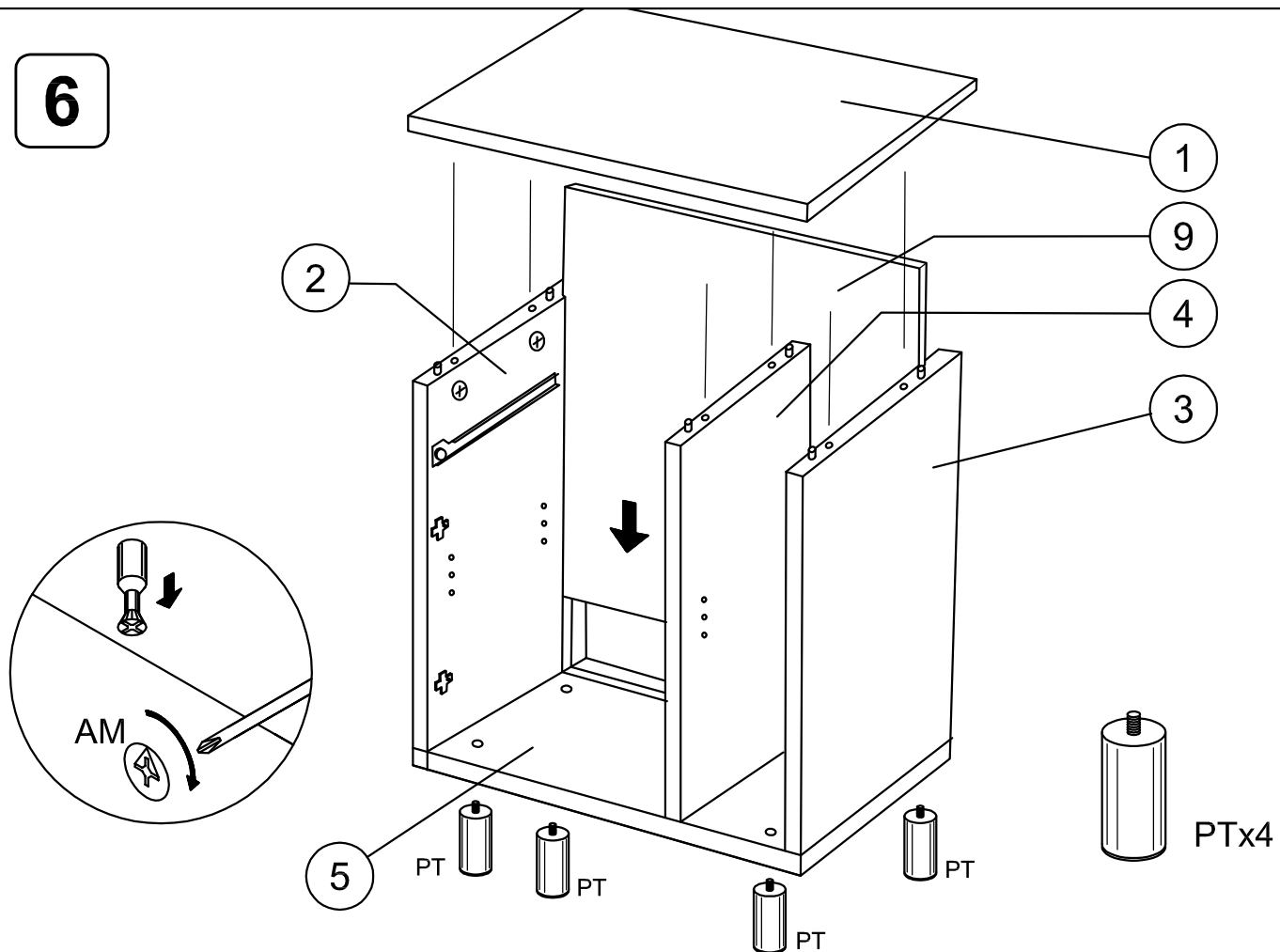
4



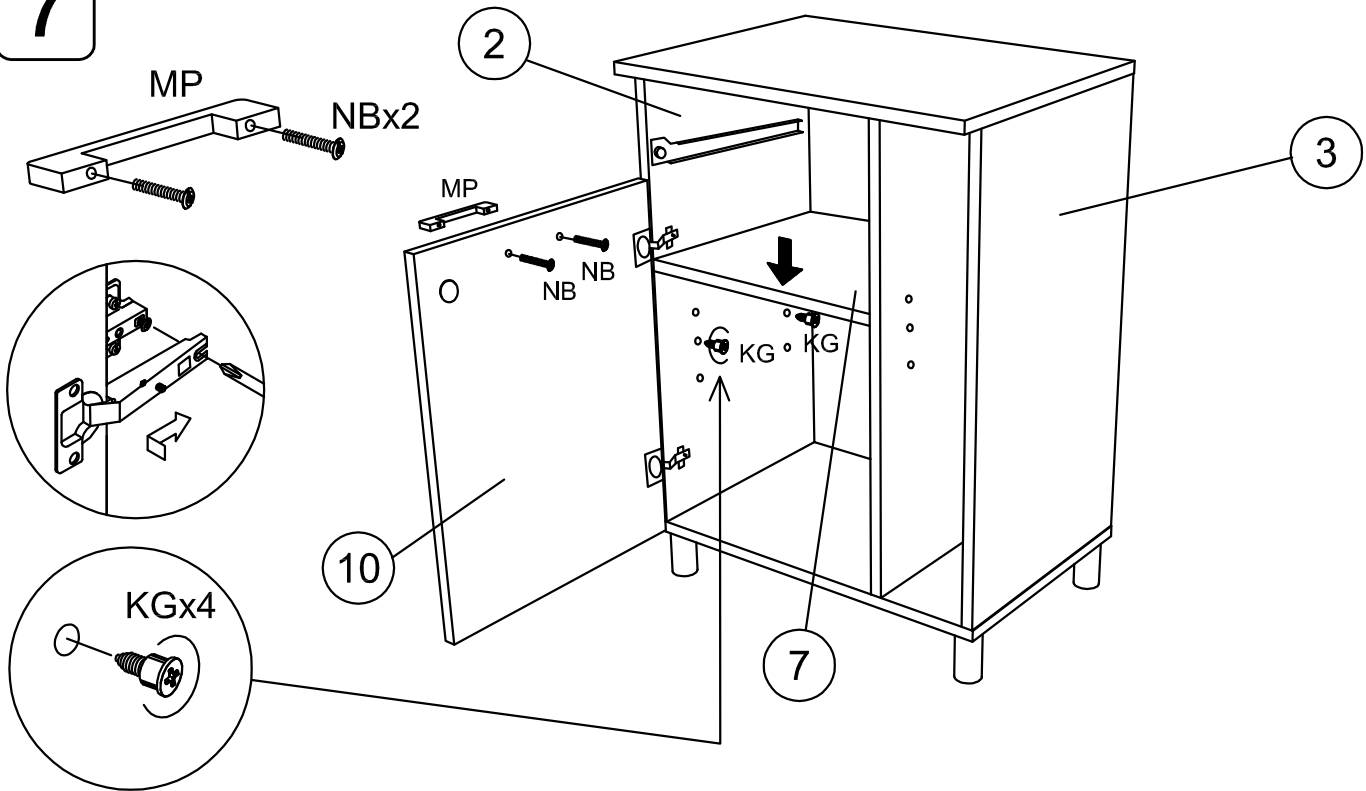
5



6

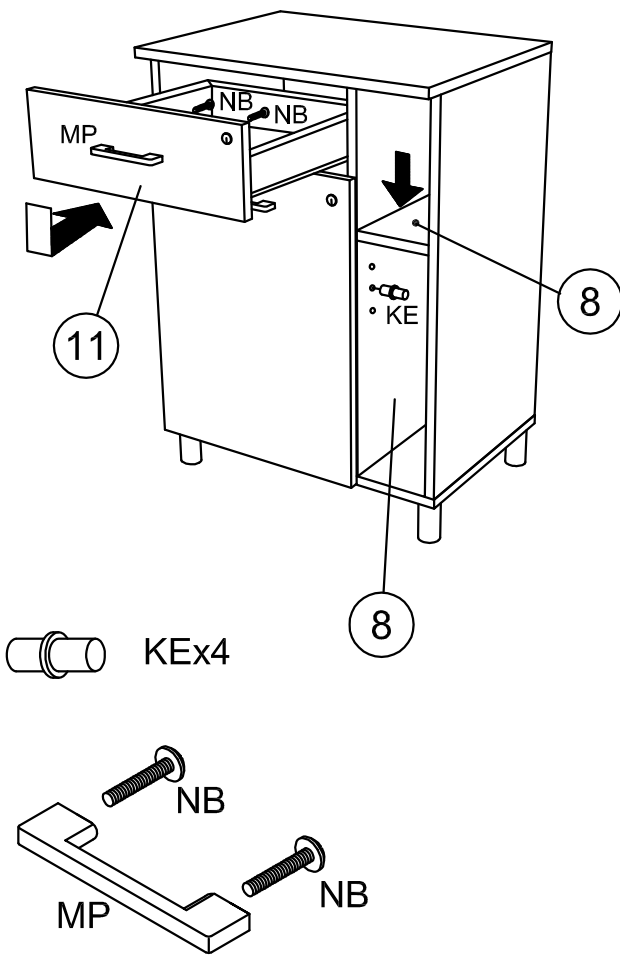


7

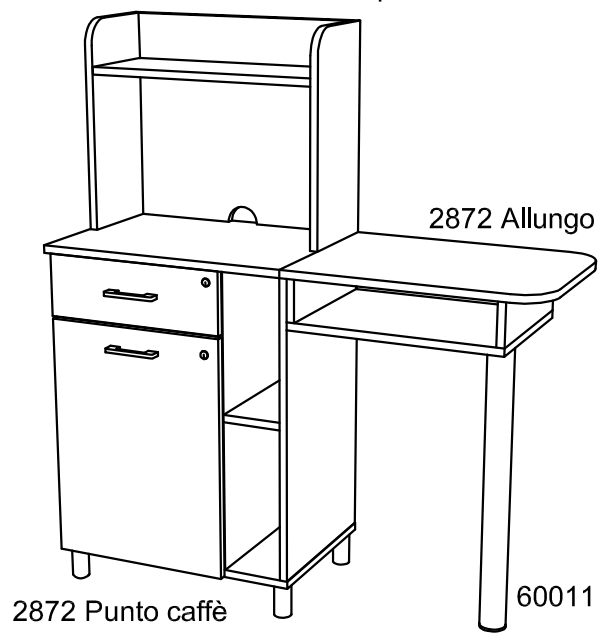


OPTION

8



2872 Sopralzo



2872 Punto caffè

60011